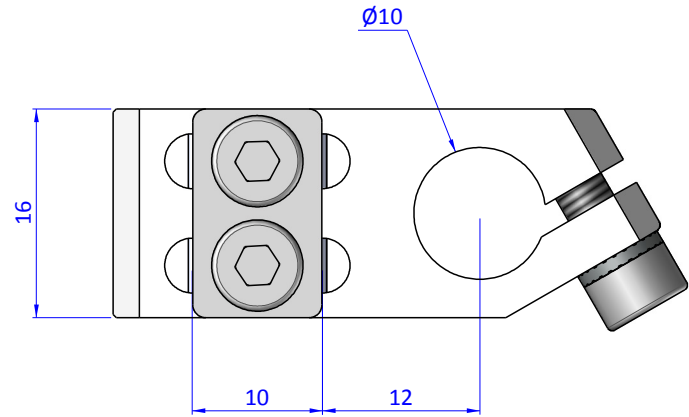
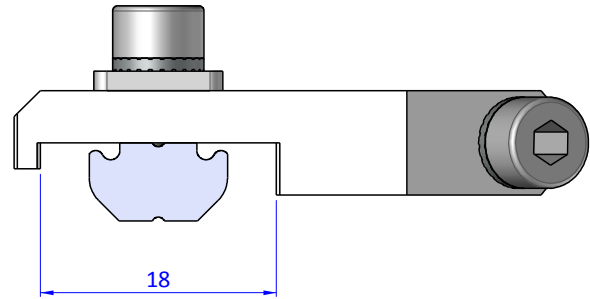
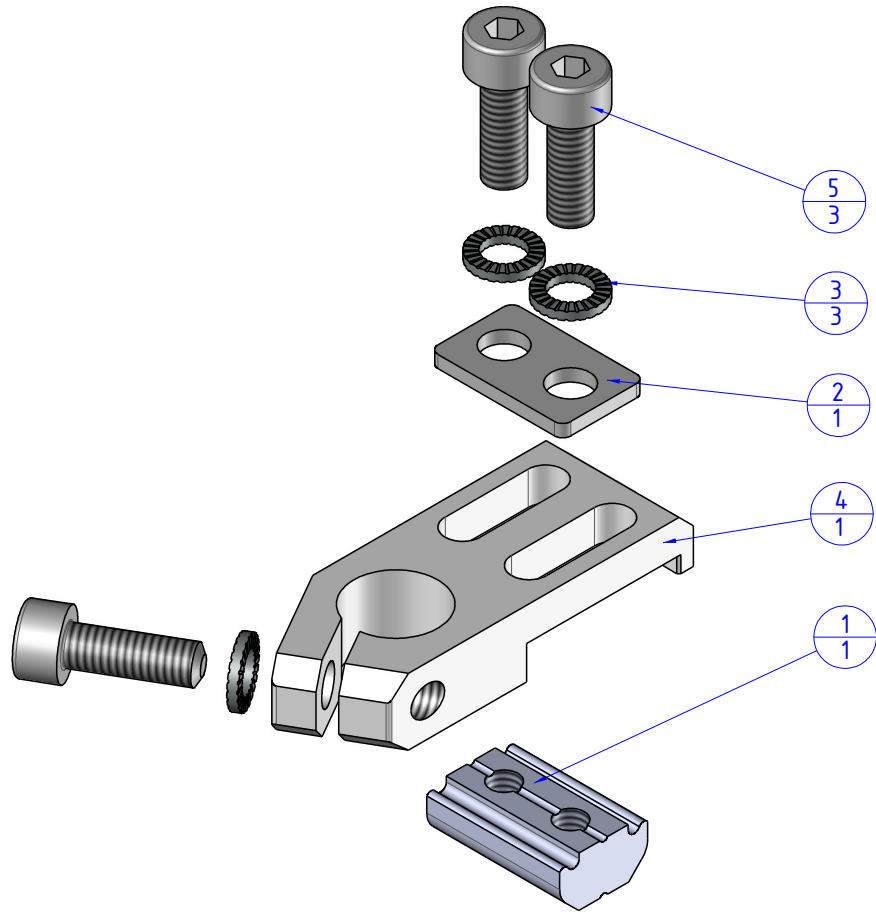


THE PROPERTY OF THE DRAWING IS ESTABLISHED BY LAW. IT IS FORBIDDEN TO PRODUCE OR SHOW IT TO THIRD PARTY, WITHOUT A WRITTEN AGREEMENT.

Object Number	Name	QTY
1	CA.GWP.4.8	1
2	R.04.08	1
3	R.4.SCH	3
4	WST.1010	1
5	V.TCE4x12	3



Format A3

UNI 936-76

		DESIGNED FROM		REVIEW
		FPSERVICES		A
GENERAL TOLERANCE		DATE	WEIGHT	
UNI - ISO 2768		06/04/2017	0,020kg	
CLASSE f		CODE		
		CA.WST.1010.L		CA.WST.1010.L